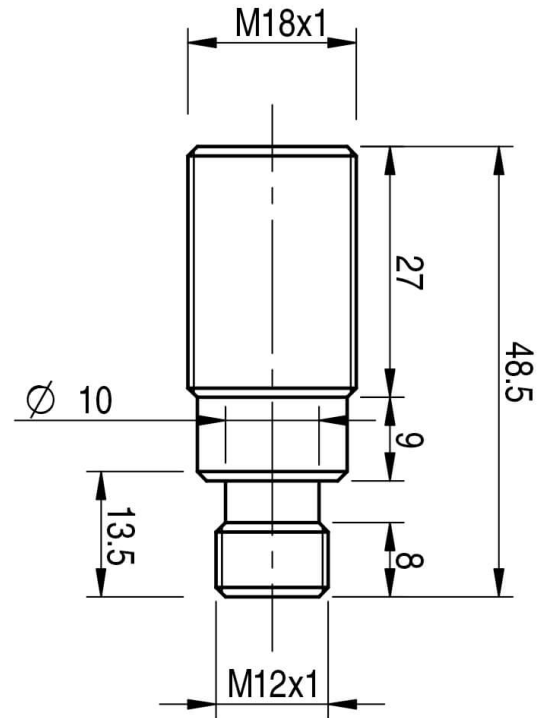


# Analogue



## Detection properties

Nominal sensing distance	0...10mm
Operanting distance	0...10mm
Standard target	30x30mm FE360
Thermal drift of Sr	< 10%
Repeat Accuracy	0,3mm (UB 20...30Vcc/Vdc Ta=23°C ±5°C)
Resolution	≤2µm

## Application

Description	M18 short case no-flush mount
Functions	Proximity

## Outputs

Output type	Analogue
Output Function	Analogue
Voltage Analogue Output	1 x 0...10V
Current Analogue Output	1 x 4...20mA

## Electrical data

Operating Voltage	10...30Vdc
No-Load supply current	≤ 12mA
Load current	≤ 10mA
	0V - 0 + 0,4V (23°C) +5,2V ± 0,4V (23°C) +10V ± 0,4V (23°C)
	500Hz
	4mA ± 0, ≤ 8mA (23°C) 20mA ± 0, ≤ 8mA (23°C)
	500Ω (UB = 15V) / 1kΩ (UB = 30V)
Max ripple content	≤ 20%
Time delay before availability	≤ 50ms
Short-circuit protection	Yes
Reverse Polarity Protection	Yes
Max output current	4mA ± 0, ≤ 8mA (23°C) 20mA ± 0, ≤ 8mA (23°C)
Impulsive Overvoltage Protection	Yes
Maximum capacitance load	500Ω (UB = 15V) / 1kΩ (UB = 30V)
Output voltage	0V - 0 + 0,4V (23°C) +5,2V ± 0,4V (23°C) +10V ± 0,4V (23°C)

### Mechanical data

Mounting	Partially Shielded
Dimensions	M18 x 1 / L = 48,5mm
Weight	55g
Housing Material	Nickel-plated brass
Connections	M12 Plug
Active Head Material	PBT
Tightening torque	25Nm
Operating temperature	-25°C...+70°C
Material	Nickel-plated brass
Diameter/Dimension	M18

### Test/Approvals

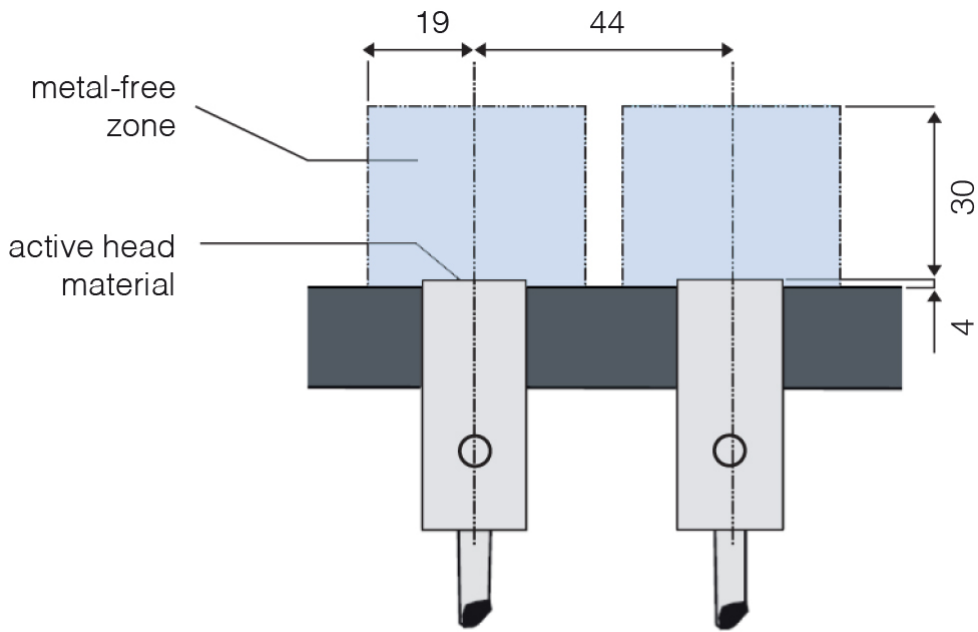
Approvals	CE
EMC compatibility	IEC 60947-5-2
Shocks and vibrations	Vibration IEC 60068-2-6 / Shock IEC 60068-2-27
Degree of protection	IP67

### Accessories

Supplied Accessories	2 nuts M18x1
----------------------	--------------

### Generical Data

Dimensions	M18 x 1 / L = 48,5mm
Operating Temperature	-25°C...+70°C
Mechanical Protection	IP67



---

**Datasensing S.r.l.**

Strada S.Caterina, 235

41122 Modena (MO)

Tel. 059 420411

Fax 059 253973

E-mail [info@datasensing.com](mailto:info@datasensing.com)

**date of printing**

25/05/2023 14:02:21