

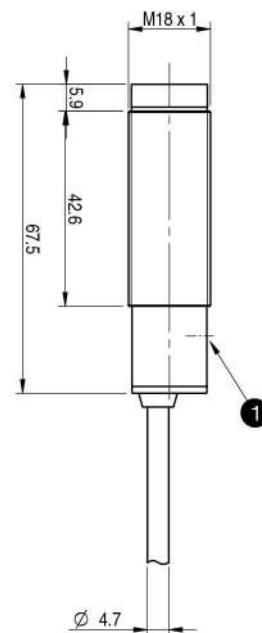


Indicative image



### M18 PHOTOELECTRIC SENSORS DC

- Complete range of M18 sensors with 10...30 Vdc power supply
- Axial and radial optic with flat surface
- Retro-reflective models for transparent objects detection, with red emission IP67 protection degree
- Metallic or plastic housing
- Sensitivity adjustment available for all models
- Total protection against any type of electric damages
- Approvals: CE and cULus listed



1 Trimmer

#### Detection properties

Nominal sensing distance	20m
Thermal drift of Sr	≤10% Sr
Repeat Accuracy	5%
Sensitivity adjustment	Trimmer

#### Application

Function Principle	Receiver
Emitter/Receiver	Receiver
Optic position	Axial

#### Outputs

Output type	PNP NO+NC
Output Function	NO+NC
Switching frequency	250Hz

Response time	2ms
---------------	-----

#### Electrical data

Operating Voltage	10...30Vdc
No-Load supply current	≤ 25mA
Load current	≤100mA
Leakage current	≤10µA
Output voltage drop	≤2V@Iload=100mA
Max ripple content	10%
LED indicators	Yellow (Lon) or output status Lo/Do
Time delay before availability	≤200ms
Short-circuit protection	Short circuit (autoreset), Overvoltage
Reverse Polarity Protection	Polarity inversal, Impulsive voltage
Emission	LED Infrared (880nm)
Interference to external light	5000lux (incandescent lamp), 10000lux (sunlight)

#### Mechanical data

Dimensions	M18 x 1/L=67,5mm
Weight	130g
Housing Material	Nickel plated brass / PC cable exit
Connections	2m PVC cable
Active Head Material	PC
Tightening torque	25Nm
Operating temperature	- 25°C...+ 70° C (Without freeze)
Diameter/Dimension	M18

#### Test/Approvals

Approvals	CE cULus
EMC compatibility	EN 60947-5-2
Shocks and vibrations	Vibration IEC 60068-2-6 / Shock IEC 60068-2-27
Degree of protection	IP67

#### Accessories

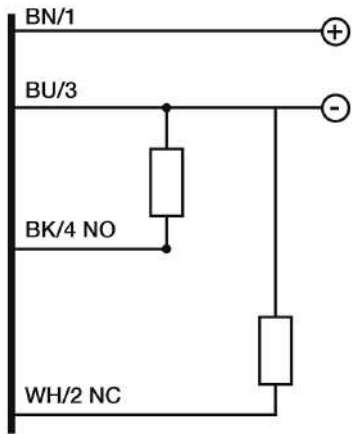
Supplied Accessories	nuts M18 x 1, screwdriver
----------------------	---------------------------

#### Generical Data

Dimensions	M18 x 1/L=67,5mm
Operating Temperature	- 25°C...+ 70°C (Without freeze)
Mechanical Protection	IP67

# ELECTRICAL DIAGRAMS OF THE CONNECTIONS

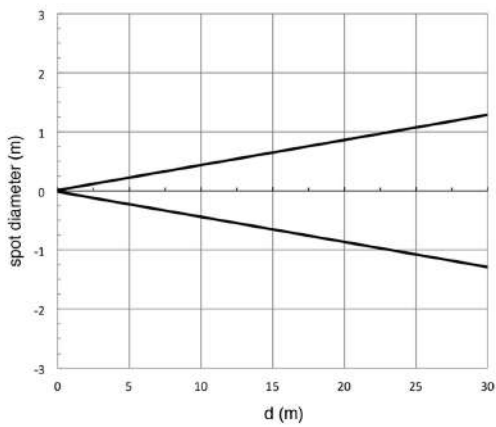
---



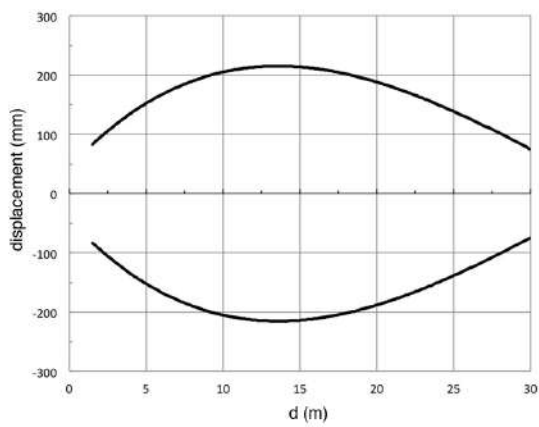
## RESPONSE CURVES

---

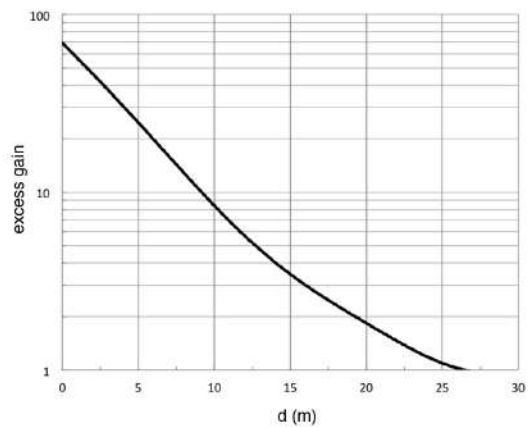
### Dimensione Spot



### Parallel offset



### Excess of Earnings



---

**Datasensing S.r.l.**

Strada S.Caterina, 235  
41122 Modena (MO)  
Tel. 059 420411  
Fax 059 253973  
E-mail [info@datasensing.com](mailto:info@datasensing.com)

**date of printing**

28/09/2022 13:10:13