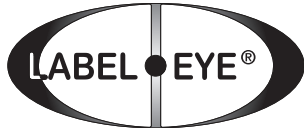




Smart Sensing Solutions Since 1954

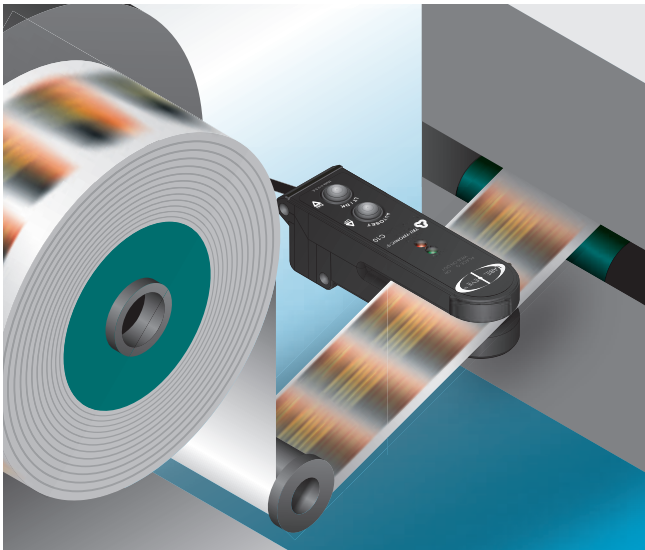


Ultra-High-Speed Label Sensor



## Ultra-High Speed LABEL•EYE

The Ultra-High Speed LABEL•EYE is a special purpose slot sensor optimized to sense adhesive labels adhering to a roll of backing paper and detect them to within .004in of position at web speeds of 2000 feet per minute. The web of labels is directed from a roll across a peeler plate or around a sharp edge. As the web passes around the sharp edge of the peeler plate, the adhesive label peels from the backing material. The function of the sensor is to look through the backing paper to detect the gap between the labels and signal the labeling machine to stop the dispensing mechanism before the label is completely dislodged from the backing material. With the next label protruding off the end of the peeler plate, it is now perfectly positioned to be applied to the next product as it passes by on a conveyor.



Label Rewinding



### Features

- 10 $\mu$ s response time
- 5 $\mu$ s repeatability
- One button AUTOSET
- Tweakable Up/Down adjustment
- M12, M8, or cable models
- Robust electrical and mechanical design
- Remote AUTOSET on M12 models
- Waterproof

### Benefits

- Easy to set up
- Highly accurate and precise
- Low maintenance
- Affordable, low-cost option
- Made in USA
- Durable and reliable

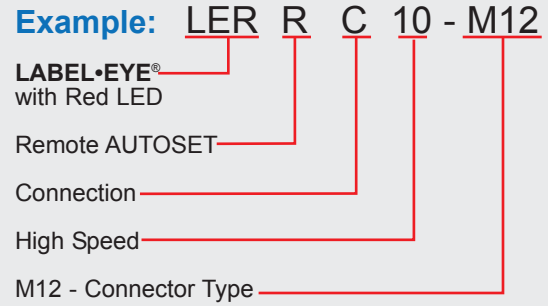
### Applications

- Label rewinding
- Label applying
- Splice detection
- High speed counting
- Perforation detection
- Weld seam detection
- Registration mark sensing

# How to Specify



- Select sensor: LABEL•EYE**
- Select remote AUTOSET:**  
Blank = No remote AUTOSET  
R = Remote AUTOSET
- Select Connection:**  
Blank = 6ft (1.8m) cable  
C = 4-pin M8 connector
- Select High Speed:**  
Blank = standard LER  
10 = High Speed LABEL•EYE
- Select M12 connector:**  
Blank = no M12  
M12 = M12 pigtail connector



## Features

**LOCATOR TABS**  
Helps to center gap for proper detection

**AUTOSET BUTTON**

- Hold AUTOSET for 1 second when gap is in view.
- Tap UP to increase time from threshold (less sensitive).

**LT/DK BUTTON**

- Hold for one second to switch from Light On Output to Dark On Output.
- Tap DN to decrease time to threshold (more sensitive).

**CENTER of DETECTION**  
This point marks the exact center of light source and receiver through-beam.

**RED LED OUTPUT INDICATOR**  
Illuminates when output is on. Flashes when sensor is shorted or overloaded.

**GREEN LED AUTOSET**  
Flashes rapidly during AUTOSET, for about 1/2 a second, and remains illuminated when complete. Flashes rapidly during AUTOSET, for about one second, and then flashes slowly with red LED output indicator four times when AUTOSET incomplete.

*NOTE: Optimized for opaque label sensing.*

## Hardware & Accessories

### 4-Wire Nano Cable, M8

- GEC-6**  
6ft (1.8m)
- GEC-15**  
15ft (4.6m)
- GEC-25**  
25ft (7.62m)
- RGEC-6**  
6ft (1.8m) right angle
- RGEC-15**  
15ft (4.6m) right angle
- RGEC-25**  
25ft (7.62m) right angle
- GEX-9**  
9ft (2.7m) extension cable

### 5-Wire Shielded MicroCable, M12

- GSEC-6**  
6ft (1.8m)
- GSEC-15**  
15ft (4.6m)
- GSEC-25**  
25ft (7.62m)
- GRSEC-6**  
6ft (1.8m) right angle
- GRSEC-15**  
15ft (4.6m) right angle
- GRSEC-25**  
25ft (7.62m) right angle
- GX-25**  
25ft (7.6m) extension cable

# Specifications

## SUPPLY VOLTAGE

- 10 to 30VDC
- Polarity Protected

## CURRENT REQUIREMENTS

- 45mA (exclusive of load)

## OUTPUT TRANSISTORS

- (1) NPN and (1) PNP output transistors
- Sensor outputs can sink or source up to 150mA (current limit)
- All outputs are continuously short circuit protected

## RESPONSE TIME

- 10µs response time
- 5µs repeatability

## PUSH-BUTTON CONTROL

- AUTOSET - One-push button setup
- LT/DK - Push and Hold to change output Light On/Dark On
- UP/DWN - Tweak-able Up/Down Adjustment

## LED LIGHT SOURCE

- High intensity red LED
- Pulse modulated

## HYSTERESIS

- Minimal hysteresis promotes the detection between the backing material and the label depending on the settings

## LIGHT IMMUNITY

- Responds to sensor's pulsed modulated light source, resulting in high immunity to most ambient light

## INDICATORS

- Green LED flashes when AUTOSET routine is activated and stays illuminated when AUTOSET is completed
- Red LED illuminates when sensor's output transistors are ON.

## AMBIENT TEMPERATURE

- -40°C to 70°C (-40°F to 158°F)

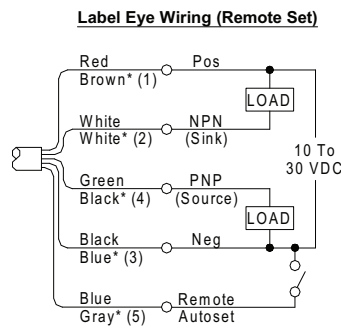


## RUGGED CONSTRUCTION

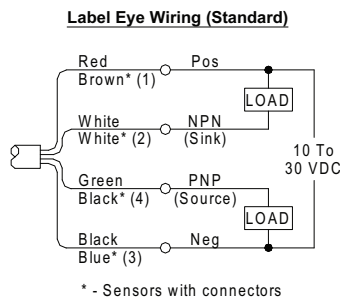
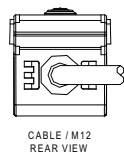
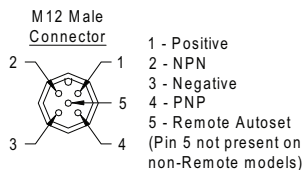
- Chemical resistant high thermoplastic PPS housing
- Waterproof, ratings: NEMA 4 and IP66
- Conforms to heavy industry grade CE and UL requirements

RoHS Compliant  
Product subject to change without notice

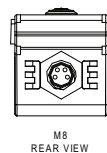
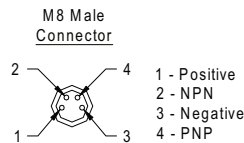
## Connections and Dimensions



\* - Sensors with connectors



\* - Sensors with connectors



## Ultra-High Speed LABEL•EYE

