

Sensor/actuator cable - SAC-4P- 3,0- PVC/M12FR - 1693526

<https://www.phoenixcontact.com/in/products/1693526>

Please be informed that the data shown in this PDF document is generated from our Online Catalog. Please find the complete data in the user documentation. Our General Terms of Use for Downloads are valid.



Sensor/actuator cable, 4-position, PVC, black RAL 9005, free cable end, on Socket angled M12, coding: A, cable length: 3 m

Your advantages

- Easy and safe: 100% electrically tested plug-in components

Sensor/actuator cable - SAC-4P- 3,0- PVC/M12FR - 1693526



<https://www.phoenixcontact.com/in/products/1693526>

Commercial Data

Order Key	1693526
Packing unit	1 pc
Minimum order quantity	1 pc
Sales Key	BF1
Catalog Page	Page 196 (C-2-2019)
GTIN	4017918443948
Weight per Piece (including packing)	113.7 GRM
Weight per Piece (excluding packing)	101.6 GRM
Customs tariff number	85444290

Sensor/actuator cable - SAC-4P- 3,0- PVC/M12FR - 1693526

<https://www.phoenixcontact.com/in/products/1693526>

Technical Data

Cable / line

Cable length	3 m
Shielded	no
UL AWM Style	2464 / 1729 (80°C/300 V)
Cable weight	40 kg/km
Shielded	no

Electrical properties

Nominal voltage, cable	≤ 300 V
Test voltage, cable	≥ 3000 V
Conductor resistance	≤ 57 Ω/km (at 20 °C)
Cable insulation resistance	≥ 200 MΩ*km (at 20 °C)

Cable structure

Cable abbreviation	LiYY
Cable type	PVC black
Cable type (abbreviation)	PVC
External cable diameter	4.7 mm ±0.15 mm
Outer sheath, material	PVC
External sheath, color	black RAL 9005
Thickness, outer sheath	≥ 0.76 mm
Conductor material	Bare Cu litz wires
Conductor structure signal line	19x 0.15 mm
AWG signal line	22
Material wire insulation	PVC
Thickness, insulation	≥ 0.23 mm (Core insulation)
Wire diameter incl. insulation	1.26 mm ±0.05 mm
Single wire, color	brown, white, blue, black
Overall twist	4 wires, twisted
Cable type	PVC black
Outer sheath, material	PVC
External sheath, color	black RAL 9005

Mechanical properties

Minimum bending radius, fixed installation	5 x D
Minimum bending radius, flexible installation	10 x D

Ambient conditions

Resistance to oil	according to DIN EN 60811-2-1, 168 h at 60 °C
Flame resistance	As per UL-Style 2464
Ambient temperature (operation)	-10 °C ... 80 °C (cable, flexible installation)
Ambient temperature (operation)	-25 °C ... 80 °C (cable, fixed installation)

Sensor/actuator cable - SAC-4P- 3,0-PVC/M12FR - 1693526

<https://www.phoenixcontact.com/in/products/1693526>

Connector

Insertion/withdrawal cycles	≥ 100
-----------------------------	-------

Head 2

Type	Socket, angled
------	----------------

Header 1

Type	free cable end
------	----------------

Electrical properties

Contact resistance	≤ 5 mΩ
Insulation resistance	≥ 10 MΩ
Nominal voltage U _N	250 V AC
Nominal voltage U _N	250 V DC
Nominal current I _N	4 A
Protective circuit	unwired

Ambient conditions

Degree of protection	IP65
Degree of protection	IP67
Ambient temperature (operation)	-25 °C ... 90 °C (Plug / socket)

LED signaling

Status display	No
Status display present	No

Notes

Environmental Product Compliance

China RoHS	Environmentally friendly use period: unlimited = EFUP-e
China RoHS	No hazardous substances above threshold values

Standards and regulations

Standards/specifications	IEC 61076-2-101
--------------------------	-----------------

Material specifications

Flammability rating according to UL 94	HB
Sealing material	NBR
Material of grip body	TPU, hardly inflammable, self-extinguishing
Contact material	CuSn
Contact surface material	Ni/Au
Contact carrier material	TPU GF
Cable gland material	Zinc die-cast, nickel-plated

Product properties

Sensor/actuator cable - SAC-4P- 3,0- PVC/M12FR - 1693526



<https://www.phoenixcontact.com/in/products/1693526>

Number of positions	4
Application	Standard
Coding	A - standard

Insulation characteristics

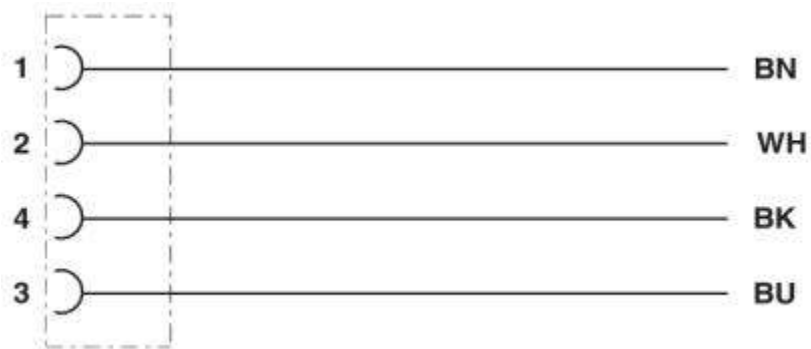
Overvoltage category	II
Degree of pollution	3

Sensor/actuator cable - SAC-4P- 3,0- PVC/M12FR - 1693526

<https://www.phoenixcontact.com/in/products/1693526>

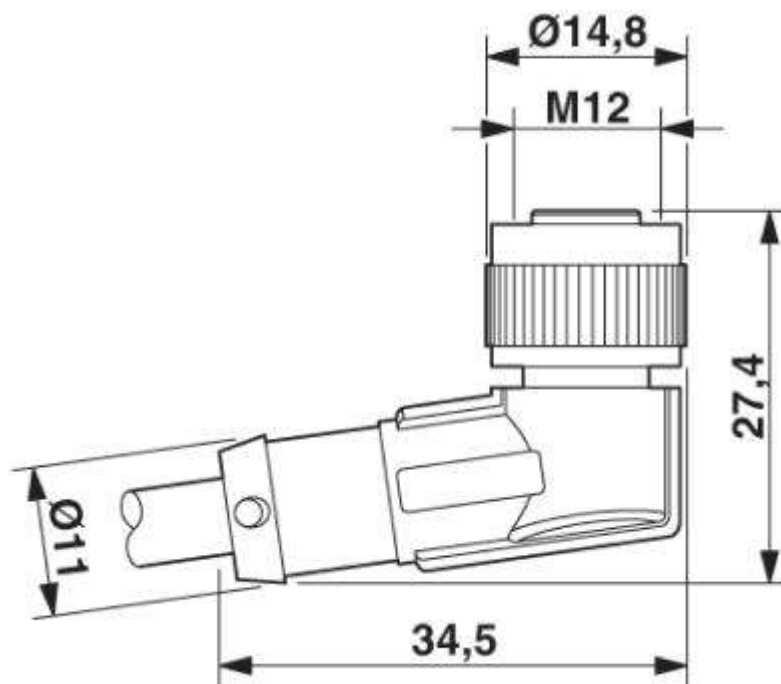
Drawings

Circuit diagram



Contact assignment of the M12 socket

Dimensional drawing

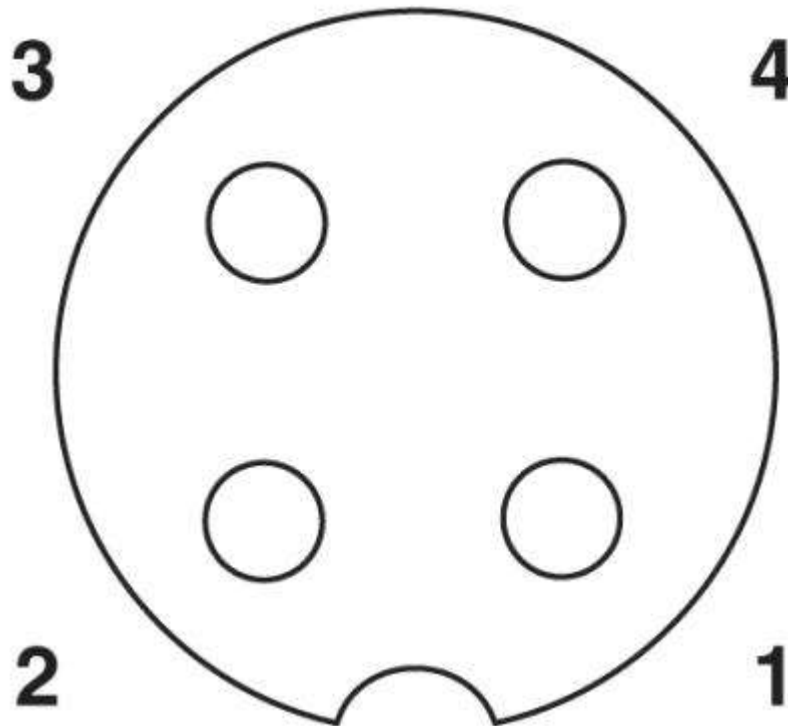


M12 x 1 socket, angled

Sensor/actuator cable - SAC-4P- 3,0-
PVC/M12FR - 1693526

<https://www.phoenixcontact.com/in/products/1693526>

Schematic diagram



Pin assignment M12 socket, 4-pos., A-coded, view female side

Sensor/actuator cable - SAC-4P- 3,0- PVC/M12FR - 1693526



<https://www.phoenixcontact.com/in/products/1693526>

Approvals

UL Listed

Nominal voltage U_N	300 V
Nominal current I_N	4 A

cUL Listed

Nominal voltage U_N	300 V
Nominal current I_N	4 A

EAC-RoHS

EAC

cULus Listed

Phoenix Contact 2020 © - all rights reserved
<https://www.phoenixcontact.com>

PHOENIX CONTACT (I) Pvt. Ltd.
A-58/2, Okhla Industrial Area, Phase - II, New Delhi-110 020

+91.11.30262800
info@phoenixcontact.co.in