

## Detection properties

Nominal sensing distance	1200mm
Thermal drift of Sr	$\pm 5\%$
Resolution	3mm
Sensitivity adjustment	Teach-in button
Hysteresis	1%
thermal compensation	Yes
Minimum sensing distance (blind zone)	80mm
Linearity error	1%
Effective Aperture Angle	$8^\circ \pm 2^\circ$

## Application

Function Principle

Diffuse reflection

## Outputs

Output type	PNP + 4...20mA
Output Function	NO/NC + positive/negative slope
Switching frequency	3Hz
Response time	400ms

## Electrical data

Operating Voltage	10 - 30Vdc
No-Load supply current	≤35mA
Load current	100mA
Leakage current	10µA @ 30Vcc
Output voltage drop	2,2Vmax. @ IL=100 mA
Max ripple content	5%
LED indicators	verde: echo - giallo: uscita
Short-circuit protection	si
Reverse Polarity Protection	si
Impulsive Overvoltage Protection	si

## Mechanical data

Dimensions	53x38x20mm
Connections	M12 Plug
Tightening torque	1Nm
Operating temperature	- 20°C...+ 70°C
Storage temperature	- 35°C...+ 80° C senza ghiaccio
Transducer Frequency	200kHz
Material	PBT
Diameter/Dimension	Cubic

## Test/Approvals

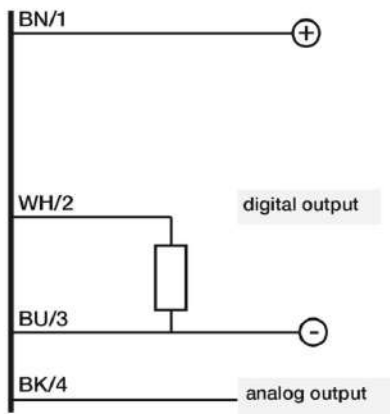
Approvals	CE cULus
EMC compatibility	IEC 60947-5-2
Shocks and vibrations	IEC EN60947-5-2 / 7.4
Degree of protection	IP67

## Accessories

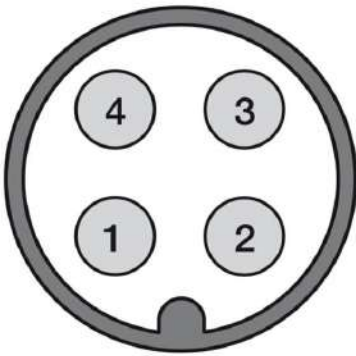
Supplied Accessories	1 M18x1 nut
----------------------	-------------

---

# ELECTRICAL DIAGRAMS OF THE CONNECTIONS

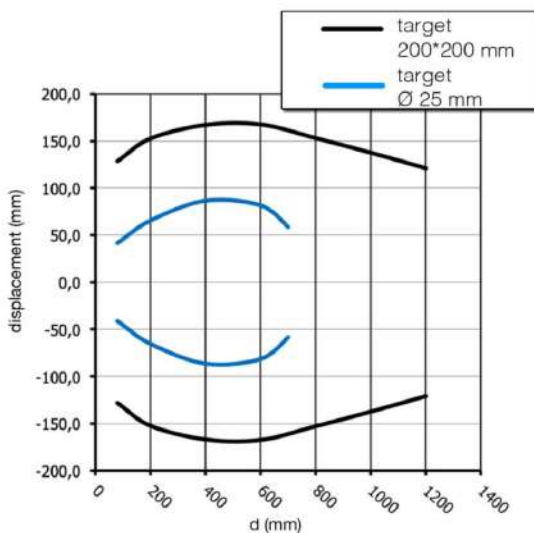


# CONNECTOR



# RESPONSE CURVES

## Disassamento Parallelo



---

## VoxinTech

Email: [info@voxintech.com](mailto:info@voxintech.com)

Web: [www.voxintech.com](http://www.voxintech.com)